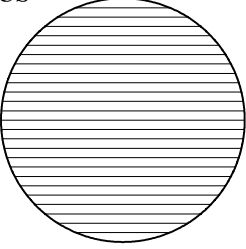
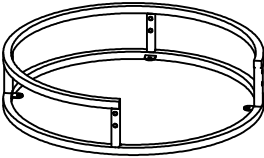







ASSEMBLY INSTRUCTION

PARTS LIST		
1.2PCS 	2.2PCS 	3.4PCS 

FITTINGS				
A.M6*25-16PCS 	B.-2PCS 	C.-2PCS 	D.Ø18-8PCS 	E.M4-1PC 